



Move your world



NEW

HIACE

**MORE POSSIBILITIES.
ENDLESS OPPORTUNITIES.**

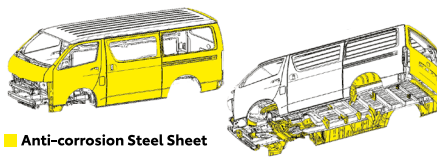


EURO 4

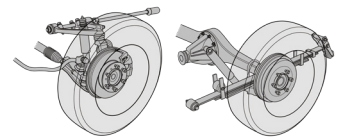


Emission Standard

Emergency Kit



Anti-corrosion



Suspension

The new Toyota Hiace introduces a seamless balance of durability, versatility and comfort. With a powerful new engine, spacious interior, and sleek and robust build, the Toyota Hiace offers high performing functionality that embodies pure transportation excellence.



Spaciousness



Turning Radius



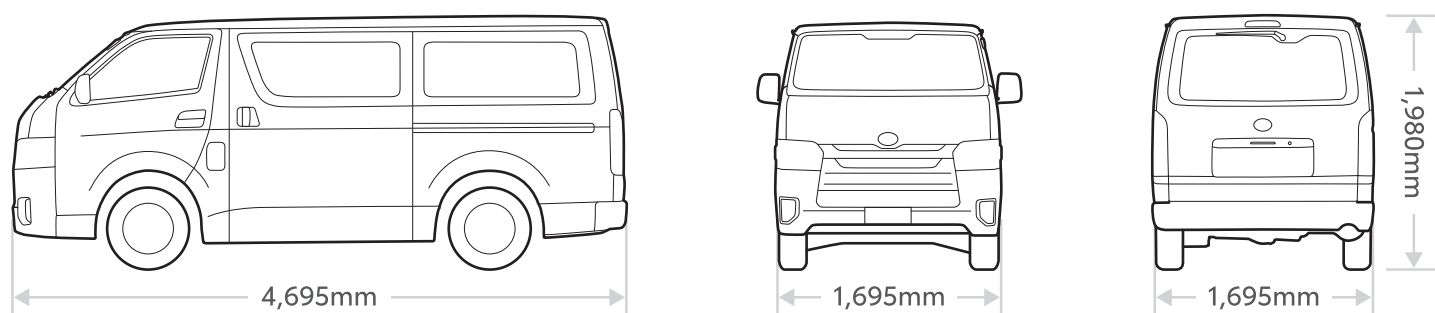
New 3.0L Turbo Diesel Engine With Intercooler

SPECIFICATIONS

VARIANT			PANEL VAN 3.0 TURBO DIESEL
ENGINE			
Model		1KD-FTV	
Type		4-cylinder, DOHC, 16-valve D-4D Turbo Diesel	
Displacement	cc	2,982	
Transmission		5-speed Manual	
Fuel Supply System		Direct Injection Common Rail	
Max. Output	kW(PS) / rpm	136 / 3,400	
Max. Torque	Nm (kg-m) / rpm	300 / 1,200 - 2,400	
Emission Standard		Euro 4	
DIMENSIONS			
Overall	Length	mm	4,695
	Width	mm	1,695
	Height	mm	1,980
Cargo	Length	mm	2,930
	Width	mm	1,545
	Height	mm	1,335
Wheelbase		mm	2,570
Tread	Front	mm	1,470
	Rear	mm	1,465
Weight	Kerb	kg	1,825
	Gross	kg	2,800
Min. Turning Radius		m	5.0
Ground Clearance		mm	195
Fuel Tank Capacity		litre	70
Suspension	Front	Double Wishbone with Torsion Bar	
	Rear	Leaf Spring	
CHASSIS			
Brakes	Front	Ventilated Disc	
	Rear	Drum	
Tyres & Rims		195R15C (With Wheel Cap)	
FEATURES			
EXTERIOR			
Headlamps		Halogen Multi-reflector	
Radiator Grille		Silver	
Front Bumper		Black	
Mudguards		With (4 Pieces)	
INTERIOR			
Outside Temperature Display		With	
Steering Wheel		4-spoke Urethane	
Air-conditioner		Manual / Front	
Power Windows	Driver & Front Passenger	With (Driver Side / Down with Jam Protection)	

VARIANT	PANEL VAN 3.0 TURBO DIESEL	
INTERIOR		
Audio System	CD Player with Tuner, MP3, Aux Jack, USB, Bluetooth® and 2 Speakers	
Seat Material	Fabric (Front Seats Only)	
Seating Capacity	2	
SAFETY		
ACTIVE		
Anti-lock Braking System (ABS)	With	
Load Sensing Proportioning & Bypass Valve (LSP & BV)	With	
High Mount Stop Lamp	With	
Reverse Sensors	With	
PASSIVE		
SRS Airbags	2 (Driver and Front Passenger)	
GOA Body	With	
Seat Belts Front	3-point ELR with Pretensioner x 2	
Safe Brake Pedal	With	
SECURITY		
Security System	2 Remote Control Keys, Siren and Auto Door Lock	
OPTIONAL		
Audio System	7" Touchscreen Display Audio with Reverse Camera	
Digital Video Recorder (DVR)	With (Front & Rear)	
Vehicle Telematics System (VTS)	With	
Portable Tyre Pump	With	
ACCESSORIES		
RFID Tag	With	

DIMENSIONS



For Your Auto-Financing Needs



3-year warranty from the date of first registration or 100,000km travelled, whichever occurs first.

- UMW Toyota Motor reserves the right to alter any details of specifications and equipment without notice.
- Details of specifications and equipment are also subject to change to suit local conditions and requirements.
- Vehicle and specifications in this catalogue may vary from models available locally.
- Vehicle body and accessory colours might defer slightly from the printed photos in this catalogue.
- Optional accessories are available at extra cost.
- All images used are for illustrative purposes.